

HLSA12,5-275/3+1 S IT

- Lightning impulse current and surge arresters type T1+T2 ensure the equipotential bonding, eliminate the effects of lightning current and reduce switching, induced and residual overvoltage in single-phase and three-phase IT power supply systems.
- The products consist of varistors with big discharge ability in the combination with gas discharge tube they ensure zero leakage current in the PE conductor.
- Installed at the boundaries of zones LPZ 0 – LPZ 1 and higher, closest to where the overhead line enters the building i.e. in the main distribution boards.
- Suitable for objects with considerable levels of protection LPL III and LPL IV.
- **S** indication specifies a version with remote monitoring.

Type		HLSA12,5-275/3+1 S IT
Test class according to EN 61643-11:2012 (IEC 61643-11:2011)		T1, T2
System		IT
Number of poles		4
Nominal line voltage	U_N	230 V
Maximum continuous operating voltage AC	U_C	275 V
Maximum discharge current (8/20) L/PE	I_{max}	50 kA
Impulse discharge current for class I test (10/350) L/CP	I_{imp}	12.5 kA
Charge (L/CP)	Q	6.25 As
Specific energy for class I test (L/CP)	W/R	39 kJ/Ω
Impulse discharge current for class I test (10/350) CP/PE	I_{imp}	50 kA
Charge (CP/PE)	Q	25 As
Specific energy for class I test (CP/PE)	W/R	625 kJ/Ω
Total discharge current (10/350) L1+L2+L3+CP->PE	I_{Total}	50 kA
Total discharge current (8/20) L1+L2+L3+CP->PE	I_{Total}	100 kA
Nominal discharge current for class II test (8/20) L/PE	I_n	25 kA
Nominal discharge current for class II test (8/20) CP/PE	I_n	50 kA
Voltage protection level at I_n	U_p	< 1.2 kV
Temporary overvoltage test (TOV) for $t_T = 5$ s (L/CP)	U_T	337 V
Temporary overvoltage test (TOV) for $t_T = 0.2$ s (L/PE)	U_T	1 455 V
Response time (L/CP)	t_A	< 25 ns
Response time (CP/PE)	t_A	< 100 ns
Maximal back-up fuse		160 A gL/gG
Short-circuit current rating at maximum back-up fuse	I_{SCCR}	60 kA _{rms}
Lightning protection zone		LPZ 0-1, LPZ 1-2, LPZ 2-3
Housing material		Polyamid PA6, UL94 V-0
Degree of protection		IP20
Operating temperature	θ	-40 ÷ 70 °C
Minimum cross-section of connected Cu conductors accord. to HD 60364-5-53:2022 (doesn't apply to „V“ connection) for T1	S	6 mm ² (L, N) 16 mm ² (PE, PEN)

Type		HLSA12,5-275/3+1 S IT
Minimum cross-section of connected Cu conductors accord. to HD 60364-5-53:2022 (doesn't apply to „V“ connection) for T2	S	2.5 mm ² (L, N) 6 mm ² (PE, PEN)
Clamp fastening range (solid conductor)		1.5 ÷ 25 mm ²
Clamp fastening range (stranded conductor)		1.5 ÷ 16 mm ²
Tightening moment		3 Nm
Installation		On DIN rail 35 mm
Modular width		4 TE
Operating position		Any
Signalling at the device		Optic
Importance of local signalling		OK – clear target FAULT – red target
Remote signalling		Yes
Potential free signal contact (S) (recommended cross-section of remote monitoring max. 1 mm ²)		AC: 250 V / 1.5 A, DC: 250 V / 0.1 A
Modular design		No
Lifetime		> 100 000 h
Designed according to standards		
Requirements and test methods for SPDs connected to low-voltage power systems		IEC 61643-11:2011
Safety of Flammability of Plastic Materials		UL 94
Application standards		
Protection against lightning		IEC 62305:2010
Selection and erection of electrical equipment – Switchgear and controlgear		HD 60364-5-53:2022
Selection and application principles for SPDs connected to low-voltage power systems		CLC/TS 61643-12:2009
Ordering, packaging and additional data		
Mass	m	519 g
Mass (including the packaging)	m	547 g
Packaging dimensions (H x W x D)		74 x 112 x 73 mm
Packaging value	V	0.61 dm ³
ETIM group		EG000021
ETIM class		EC001457
Customs tariff no.		85363010
EAN code		8590681169360
Art. number		27 810

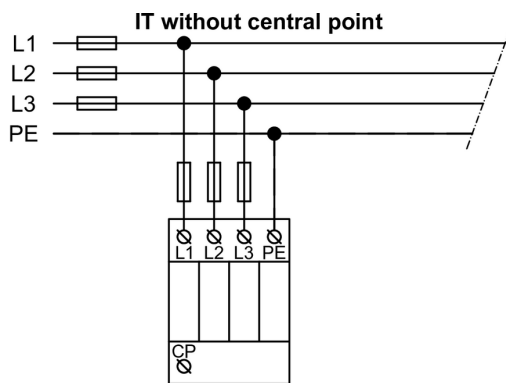
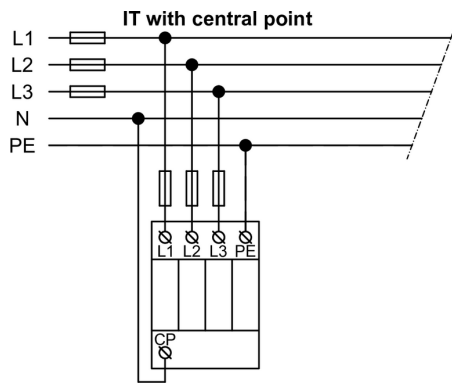


The link in the QR code leads to the online presentation of the **HLSA12,5-275/3+1 S IT**. There, in addition to the always up-to-date data sheet, you will also find all diagrams and drawings, declarations of conformity, or 2D or 3D models and other necessary materials. For more information, visit www.hakil.com



8590681169360

Application wiring diagram (installation)



Internal diagram

